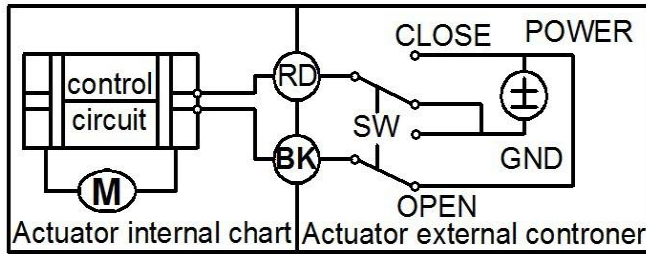


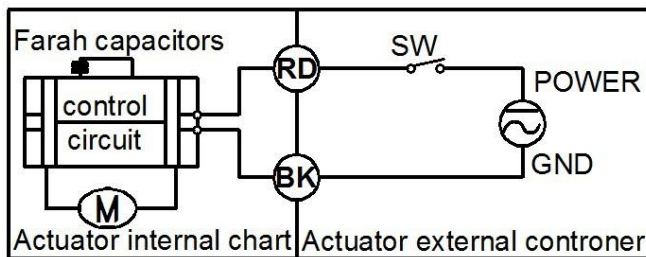
# Wiring diagram

**CR2 01 Wiring Diagram ( 2 wires control )**



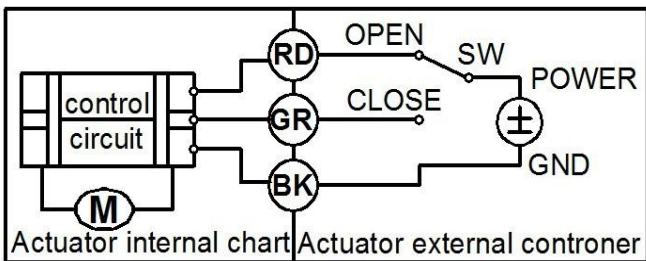
- RD connect with positive, the BK connect with negative, the valve closed, the actuator automatically power off after in place , the valve remains fully closed position .
- BK connect with positive, the RD connect with negative, the valve open, the actuator automatically power off after in place, the valve remains fully open position .
- \* **Suitable Working Voltage:DC3.5/ DC5V/DC12V/DC24V**
- \* Exceeding the working voltage is forbidden

**CR2 02 Wiring Diagram ( 2 wires control – Capacitance return in case of the power is failure)**



- When SW is closed , the valve open. the actuator automatically power off after in place
- When SW is open, the valve closed, the actuator automatically power off after in place
- \* **Suitable Working Voltage: AC/DC9-24V, AC/DC110V-230V,**
- \* Exceeding the working voltage is forbidden

## CR3 01 Wiring Diagram (3 wires control )

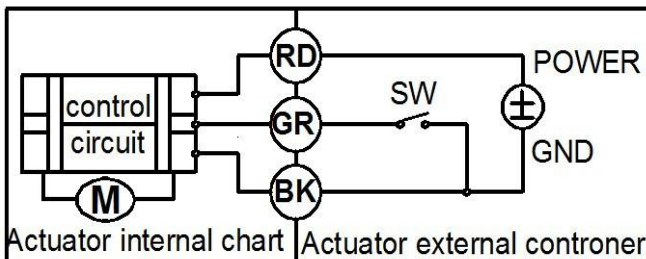


- RD & GR connect with positive, BK connect with negative
- When OPEN(RD) & SW connected , the valve open, the actuator automatically power off after in place , valve remains fully open position
- When CLOSE(GR) & SW connected, the valve closed, the actuator automatically power off after in place, valve remains fully closed position.

**\* Suitable Working Voltage: DC5V/DC12V/DC24V,AC/DC9-35V**

\* Exceeding the working voltage is forbidden

## CR3 02 Wiring Diagram (3 wires control )

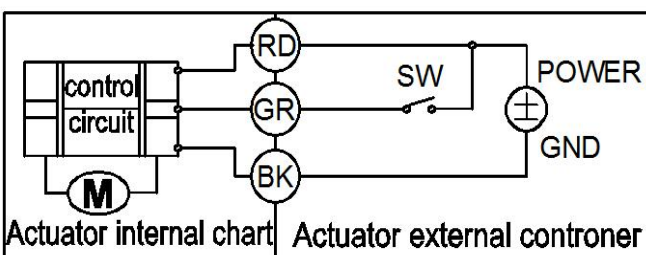


- RD connect with positive, the BK & GR connect with negative
- SW CLOSED, the valve OPEN, the actuator automatically power off after in place.
- SW OPEN, the valve CLOSED, the actuator automatically power off after in place.

**\* Suitable Working Voltage: DC7-35V**

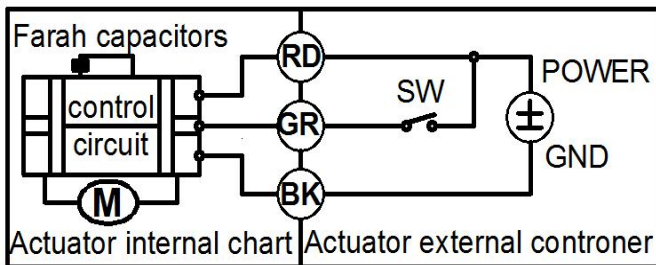
\* Exceeding the working voltage is forbidden

## CR3 03 Wiring Diagram (3 wires control)



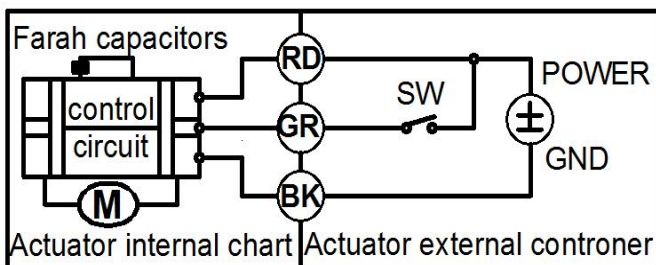
- RD& GR connect with positive, the BK connect with negative.
- SW CLOSED, the valve OPEN, the actuator automatically power off after in place
- SW OPEN, the valve CLOSED, the actuator automatically power off after in place.
- \* **Suitable Working Voltage: AC/DC9-35V,AC/DC110-230V**
- \* Exceeding the working voltage is forbidden

### CR3 05 Wiring Diagram (3 wires control-Spring return in case of the power is failure)



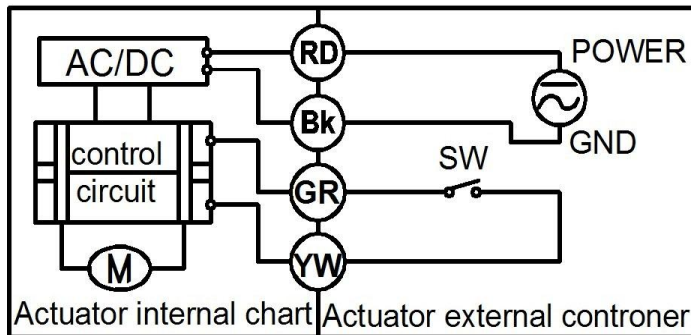
- RD& GR connect with positive, the BK connect with negative.
- SW CLOSED, the valve OPEN, the actuator automatically power off after in place
- SW OPEN, the valve CLOSED, the actuator automatically power off after in place.
- The valve will close/open, if the power off.
- \* **Suitable Working Voltage: AC/DC9-35V,AC/DC110-230V**
- \* Exceeding the working voltage is forbidden

### CR3 06 Wiring Diagram (3 wires control-Spring return in case of the power is failure)



- RD& GR connect with positive, the BK connect with negative.
- SW CLOSED, the valve CLOSED, the actuator automatically power off after in place
- SW OPEN, the valve OPEN, the actuator automatically power off after in place.
- The valve will close/open, if the power off.
- \* **Suitable Working Voltage: AC/DC9-35V,AC/DC110-230V**
- \* Exceeding the working voltage is forbidden

**CR4 01 Wiring Diagram (4 wires control )**

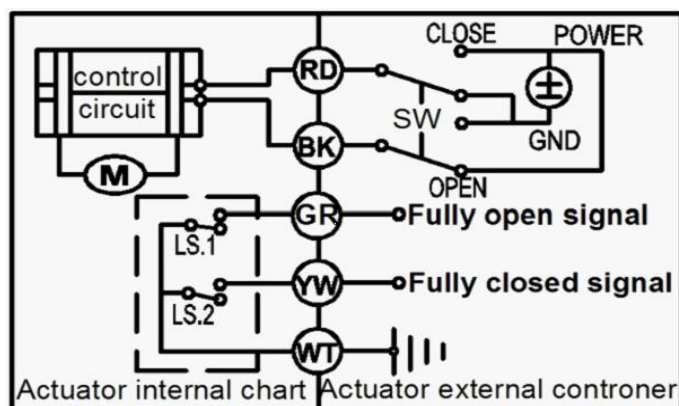


- RD & BK are connected to the power, GR & YW are connected to the controlled wiring.
- When the SW is closed , the valve open
- When the SW is open , the valve closed
- **Suitable Working Voltage: AC/DC110V-230V**

Exceeding the working voltage is forbidden

The control wiring with power DC5V , when multiple motorized valves are working in paralled , must put the same color control wiring together, otherwise the valve could working normally .

**CR5 01 Wiring diagram ( with feedback signal)**



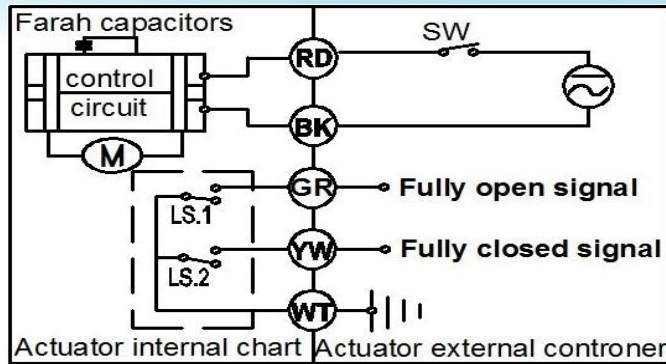
- RD connect with positive, the BK connect with negative, the valve closed, the actuator automatically power off after in place .
- BK connect with positive, the RD connect with negative, the valve open, the actuator automatically power off after in place .
- GR & WT are connect when the valve open fully, YW & WT are connect when the valve closed fully

**Suitable Working Voltage: DC5V/DC12V/DC24V**

Exceeding the working voltage is forbidden

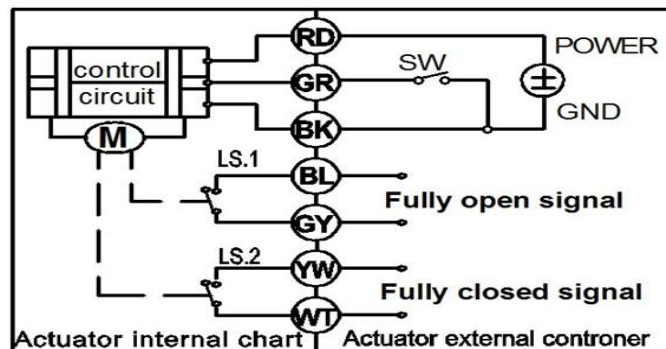


## CR5 02 Wiring diagram ( with feedback signal)



- When SW is closed , the valve open. the actuator automatically power off after in place
- When SW is open, the valve closed, the actuator automatically power off after in place
- \* GR & WT are connect when the valve open fully, YW & WT are connect when the valve closed fully
- \* **Suitable Working Voltage: AC/DC9-24V, AC/DC9-35V, AC/DC110V-230V**
- \* Exceeding the working voltage is forbidden

## CR7 01 Wiring Diagram ( 7 wires control with feedback signal )



- RD connect with positive
- GR connect with SW and negative wiring
- BK connect with negative wiring
- SW open. the valve open, and keeping fully open.
- SW closed. the valve closed, and keeping fully closed.
- BL & GY connect with the valve's fully open signal wiring
- YW & WT connect with the valve's fully closed signal wiring.

**\* Suitable Working Voltage: DC7-35V**

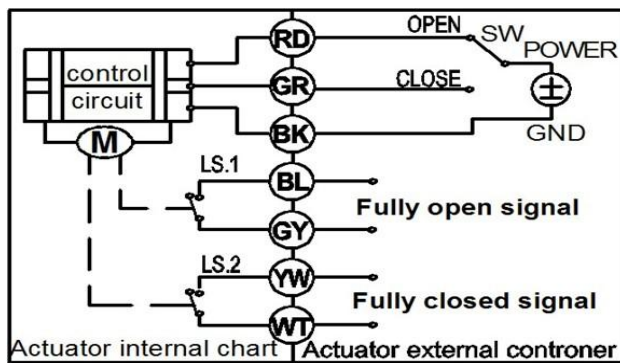
\* Exceeding the working voltage is forbidden

※ Feedback with load ability:

① The Max. off voltage: DC36V AC220V

② The Max. off current:  $\leq 0.4A$

**CR7 02 Wiring Diagram ( 7 wires control with feedback signal )**



• RD & GR connect with positive, the BK connect with negative

• When RD & SW connected, the valve open, the actuator automatically power off after the valve fully open.

• When GR & SW connected, the valve closed, the actuator automatically power off after the valve fully closed,.

• BL & GY connect with the valve's fully open signal wiring

• YW & WT connect with the valve's fully closed signal wiring

**\* Suitable Working Voltage: DC5V/DC12V/DC24V**

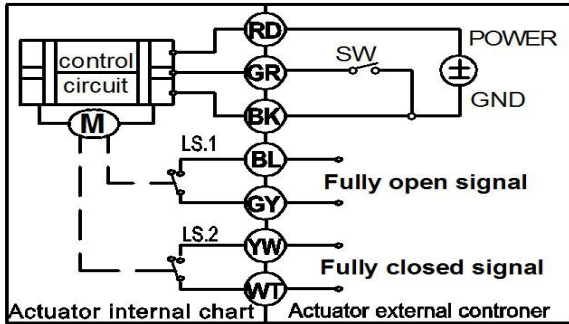
\* Exceeding the working voltage is forbidden

※ Feedback with load ability:

① The Max. off voltage: DC36V AC220V

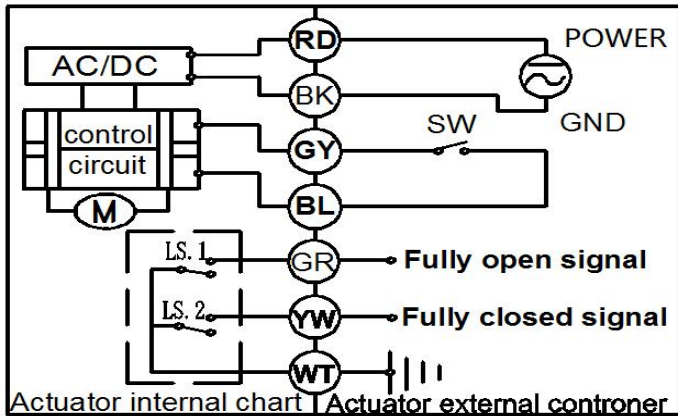
② The Max. off current:  $\leq 0.4A$

## CR7 03 Wiring Diagram ( 7 wires control with feedback signal )



- RD & GR connect with positive, the BK connect with negative.
- SW CLOSED, the valve OPEN, the actuator automatically power off after in place
- SW OPEN, the valve CLOSED, the actuator automatically power off after in place.
- BL & GY connect with the valve's fully open signal wiring
- YW & WT connect with the valve's fully closed signal wiring.
- \* Suitable Working Voltage: AC/DC9-24V, AC110-230V
- \* Exceeding the working voltage is forbidden

## CR7 04 Wiring Diagram ( 7 wires control with feedback signal )



- RD & BK are connected to the power, GY & BL are connected to the controlled wiring.
- When the SW is closed, the valve open
- When the SW is open, the valve closed
- GR & WT connect with the valve's fully open signal wiring
- YW & WT connect with the valve's fully closed signal wiring.

**Suitable Working Voltage: AC/DC110V-230V**

Exceeding the working voltage is forbidden

## Instruction For Manual Function

### Manual override instructions:



### In case of an electric supply failure, it is possible to operate the actuator manually:

1. Power must in off position when start the manual override.
2. Gently pull up the knob about 3mm, then revolve the knob around left and right to control the valve open or close.
3. When the red needle in the indicator pointing to S, means the valve is closed.  
When pointing to O, means the valve is open.
4. After finish the manual override operation, must press down the knob, so that for the normal electric operation.

- 1, The manual function can only use in the power failure situation.
- 2, Rotating the hand wheel left and right with small angle, and pulling up the hand wheel about 3mm until the valve arriving.
- 3, The red line on the window pointer to indicate S, the valve is closed, indicating O, the valve is open.
- 4, Pressing down the hand wheel when no need of the manual operation, so the normal electric power can work.